



Athalon™ maximum-life filters deliver the highest level of sustained fluid system protection, across all applications, regardless of severity.

Featuring an industry leading Beta<sub>X(C)</sub>=2000\* filter efficiency; the highest rated filter performance available today.

(\* per ISO 16889)

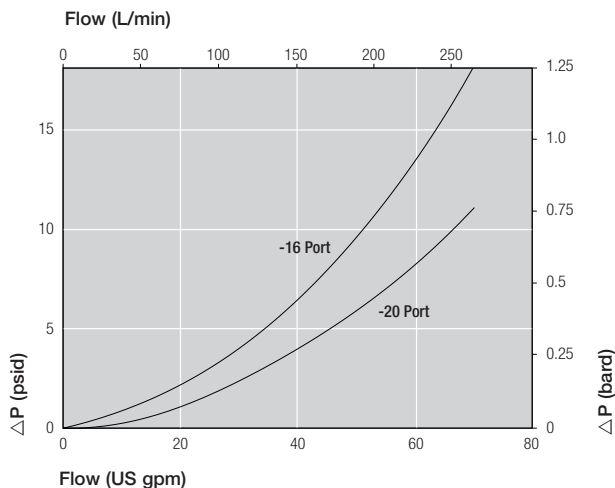
### Notes and Specifications Filter Housing

- Flows to 265 L/min (70 US gpm)
- Pressures to 41 Bar (600 psi)
- Port Size 1" and 1¼"
- **Rated Fatigue Pressure:**  
41 bar (600 psi) per NFPA T2.06.01R2-2001 CAT C/90/(1 million cycles), verified by testing at 0-48 bar (687 psi) for 1 million cycles. Contact Pall for applications with higher pressures at lower cycles
- **Filter Element Burst Pressure:**  
10 bard (150 psid)
- **Fluid Compatibility:**  
Compatible with all petroleum oils and most water glycols, water-oil emulsions, and synthetic hydraulic and lubrication fluids
- **Temperature Range:**  
Fluorocarbon Seals:  
-29 °C to 120 °C (-20 °F to 248 °F)  
60 °C (140 °F) maximum in HWCF or water glycol fluids
- **Bypass Valve Setting:**  
4.5 bard (65 psid) or 1.7 bard (25 psid)
- **Indicator Pressure Setting:**  
3.5 bard (50 psid) or 1.1 bard (16 psid)
- **Materials of Construction:**  
Head, cover and bowl: Aluminium
- **Filter Element :**  
Inorganic fibers impregnated and bonded with epoxy resins.  
Polymer endcaps. Anti-static media design

### Pressure Drop Information

#### Housing pressure drop using fluid with 0.9 S.G.

Housing pressure drop is directly proportional to specific gravity.



## New: UR210 Series Athalon™ Return Line Filters

- Keeps fluids the cleanest, longest, for the greatest value
- Provides consistent, reliable, protection of system components over the full service life of the filter element
- Rapidly achieves and sustains required fluid system cleanliness
- Delivers maximum filter capacity in the smallest footprint
- Prevents electrostatic discharge from damaging your filter and degrading your fluid



UR210 Series filter housing

### Features

- Patented Ultipleat (laid-over pleat) filter medium pack
- Pall Stress-Resistant Technology (SRT) Media
- Coreless filter element configuration
- Low clean differential pressure for low energy operation

### Element Pressure Drop

#### 210 Series Filter Elements – bard/1000 L/min (psid/US gpm)

Length Code	AZ	AP	AN	AS	AT
08	9.93 (0.545)	4.21 (0.231)	2.83 (0.155)	1.76 (0.096)	1.33 (0.073)
13	5.95 (0.327)	2.52 (0.139)	1.70 (0.093)	1.05 (0.058)	0.80 (0.044)
20	3.95 (0.217)	1.68 (0.092)	1.13 (0.062)	0.70 (0.038)	0.53 (0.029)

Multiply actual flow rate times factor in table below to determine pressure drop with fluid at 32 cSt (150 SUS), 0.9 S.G. Correct for other fluids by multiplying new viscosity in cSt/32 (SUS/150) x new S.G./0.9. Note: factors are per 1000 L/min and per 1 US gpm

### Sample ΔP calculation

UR210 Series 13" length housing with C20 BSPP ports using AN grade media. Operating conditions 120 L/min flow rate using a hydraulic fluid of 50 cSt and specific gravity (s.g.) 1.2.

**Total Filter ΔP**  
 = ΔP housing + ΔP element  
 = (0.18 x 1.2/0.9) bard (housing)  
 + ((120 x 1.7/1000) x 50/32 x 1.2/0.9) bard (element)  
 = 0.24 (housing) + 0.43 bard (element)  
 = **0.67 bard (9.7 psid)**

## Ordering Information

For new installations, select one complete part number from each section below

### Section 1 Housing P/N: UR210

**Note:** Pall Athalon filter housings are supplied without filter elements or warning devices fitted. Never operate the filter unless a filter element is fitted and all warning device ports are sealed.

**Note:** Z indicates fluorocarbon seals are standard. Other options are available; contact Pall. Housing P/N designates indicator port fitted with a plastic shipping plug.

**Table A**

#### Port & Length Options

##### Tables 1, 2 and 3

A1608Z
A1613Z
A2008Z
A2013Z
A2020Z
C1608Z
C1613Z
C2008Z
C2013Z
C2020Z

**Table 1: Housing Port Options**

Code	Port Style	Max. Operating Pressure
A	SAE J1926 straight thread	41 bar (600 psi)
C	BSP ISO 228 threads	41 bar (600 psi)

**Table 2: Port Size**

Code	Port Style
16	1" nominal
20	1 1/4" nominal

**Table 3: Housing Length and Seal Options**

Code	Length and Seal Material
08Z	8" nominal length, fluorocarbon seals
13Z	13" nominal length, fluorocarbon seals
20Z	20" nominal length, fluorocarbon seals

**Table 4: Bypass Valve and Service Options**

Code	Bypass Valve and Service Type
A	1.7 bard (25 psid) bypass valve, Head service
G	4.5 bard (65 psid) bypass valve, Head service

### Seal Kit P/N: SR210SKZ

Other seal material options are available; Contact Pall.

### Section 2 Element P/N: UE 210

**Note:** Z indicates fluorocarbon seals are standard. Other options are available; contact Pall.

**Table 5: Filter Element Options**

Code	$\beta_{x(c)} \geq 2000$ based on ISO 16889	CST Rating*
AZ	3	07/04/01
AP	5	11/08/03
AN	7	13/09/04
AS	12	15/11/06
AT	25	16/14/08

\* CST: Cyclic Stabilization Test to determine filter rating under stress conditions, based on SAE ARP4205

### Section 3 (At least one Differential Pressure Indicator or 'B' type blanking plug must be ordered)

#### Differential Pressure Indicator P/N:

RC  Z  Z

**Note:** If no differential pressure indicator is selected, 'B' type blanking plug (P/N HC9000A104Z) must be ordered separately and fitted to replace the plastic shipping plug.

**Note:** Z indicates fluorocarbon seals are standard. Other options are available; contact Pall.

**Table 6: Indicator Options**

Code	Brass Option indicator
A218M	Electrical switch (SPDT) with Hirschmann connector
A218R	Electrical switch (SPDT) with Hirschmann connector with Red and Green LED indicators
A219D	Visual indicator

Other options are available; contact Pall.

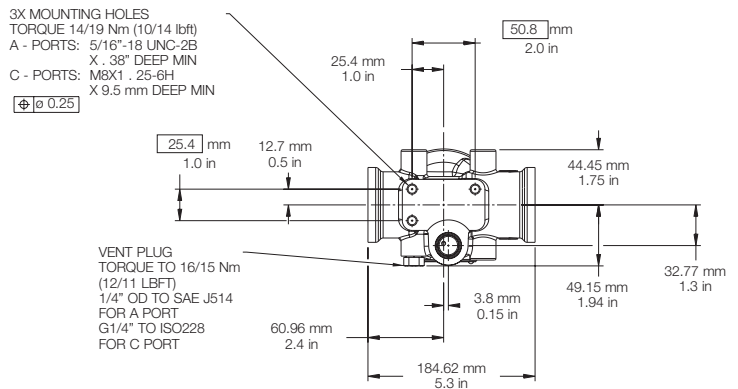
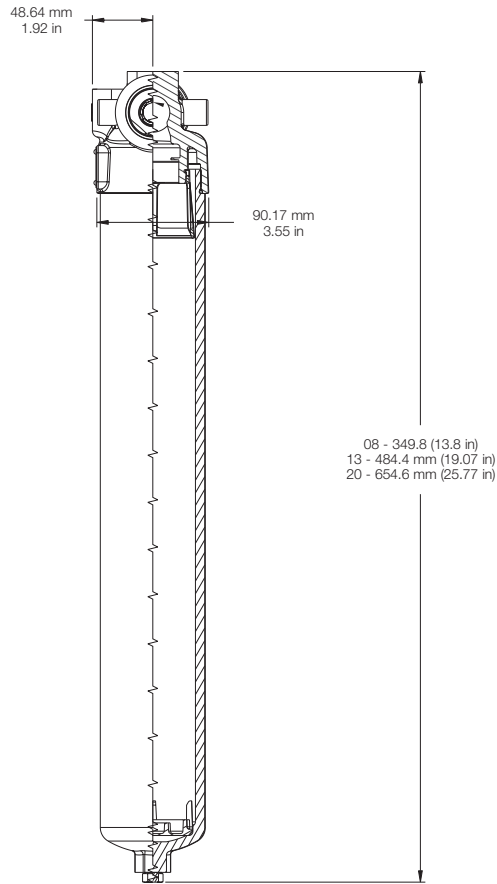
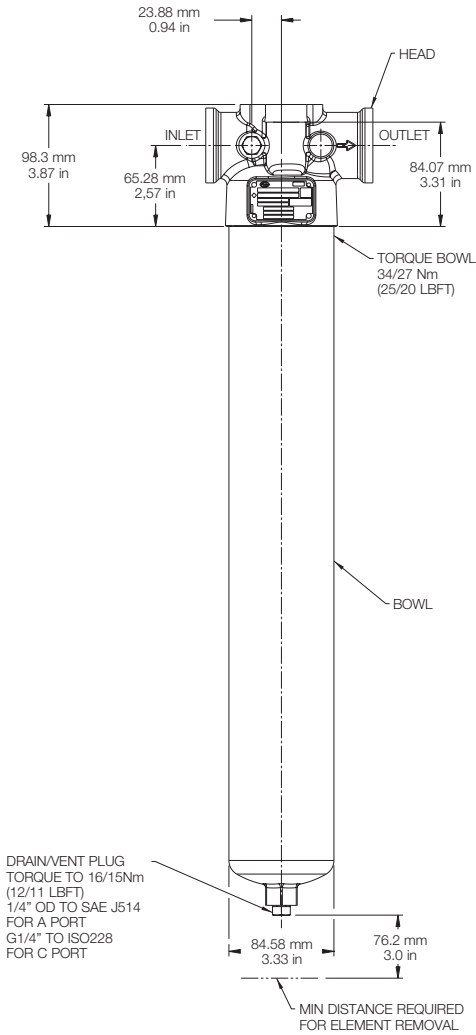
**Table 7: Indicator Pressure Setting Option**

Code	Valve
084	For 'A' Valve Option - Housings (1.1 bard - 16 psid)
091	For 'G' Valve Option - Housings (3.5 bard - 50 psid)

Other setting options are available; contact Pall.

# Dimensional Drawings

Dimensions in mm (inches)



The equipment has been assessed in accordance with the guidelines laid down in The European Pressure Directive 97/23/EC and has been classified within Sound Engineering Practice S.E.P. Suitable for use with Group 1 and 2 fluids only. Consult Sales for other fluid gas group suitability.



25 Harbor Park Drive  
Port Washington NY 11050  
+1 516 484 3600 telephone  
+1 800 289 7255 toll free US

Portsmouth - UK  
+44 (0)23 9233 8000 telephone  
+44 (0)23 9233 8811 fax  
industrialeu@pall.com

Filtration. Separation. Solution.<sup>SM</sup>



Visit us on the Web at [www.pall.com](http://www.pall.com)

Pall Corporation has offices and plants throughout the world. For Pall representatives in your area, please go to [www.pall.com/contact](http://www.pall.com/contact)

Because of technological developments related to the products, systems, and/or services described herein, the data and procedures are subject to change without notice. Please consult your Pall representative or visit [www.pall.com](http://www.pall.com) to verify that this information remains valid.

© Copyright 2015, Pall Corporation. Athalon, Pall and are trademarks of Pall Corporation.  
® Indicates a trademark registered in the USA. Better Lives. Better Planet and Filtration. Separation. Solution.<sup>SM</sup> are service marks of Pall Corporation.

M&EUR210EN

Printed in the UK

February 2016